

Product Overview eMobility



Type 2 for fixed installation, 1-phase, 20A

Order number:



Cable type: flat

- EV side: 20A 1-phase type 2 charging connector
- EVCS side: cut off clean
- Resistor: 680 Ω in charging connector
- Cable variant: 3x2.5+1x0.5 mm²
- Cable length: 5.0 m
- Cable colour: black
- Cable \varnothing : approx. 11 mm

Connector colour blue **E-309-6**

Connector colour white **E-3094-6**



Cable type: spiral

- EV side: 20A 1-phase type 2 charging connector
- EVCS side: cut off clean
- Resistor: 680 Ω in charging connector
- Cable variant: 3x2.5+1x0.5 mm²
- Cable length: 5.0 m working length
- Cable colour: black
- Cable \varnothing : approx. 11 mm

Connector colour blue **E-309-51**

Connector colour white **E-3094-51**

Type 2 for fixed installation, 1-phase, 32A

Order number:



Cable type: flat

- EV side: 32A 1-phase type 2 charging connector
- EVCS side: cut off clean
- Resistor: 220 Ω in charging connector
- Cable variant: 3x6+1x0.5 mm²
- Cable length: 5.0 m
- Cable colour: black
- Cable \varnothing : approx. 14 mm

Connector colour blue **E-310-6**

Connector colour white **E-3104-6**



Cable type: spiral

- EV side: 32A 1-phase type 2 charging connector
- EVCS side: cut off clean
- Resistor: 220 Ω in charging connector
- Cable variant: 3x6+1x0.5 mm²
- Cable length: 5.0 m working length
- Cable colour: black
- Cable \varnothing : approx. 14 mm

Connector colour blue **E-310-51**

Connector colour white **E-3104-51**

Type 2 for fixed installation, 3-phase, 20A

Order number:



Cable type: flat

- EV side: 20A 3-phase type 2 charging connector
- EVCS side: cut off clean
- Resistor: 680 Ω in charging connector
- Cable variant: 5x2.5+1x0.5 mm²
- Cable length: 5.0 m
- Cable colour: black
- Cable \varnothing : approx. 14 mm

Connector colour blue E-311-6

Connector colour white E-3114-6



Cable type: spiral

- EV side: 20A 3-phase type 2 charging connector
- EVCS side: cut off clean
- Resistor: 680 Ω in charging connector
- Cable variant: 5x2.5+1x0.5 mm²
- Cable length: 5.0 m working length
- Cable colour: black
- Cable \varnothing : approx. 14 mm

Connector colour blue E-311-51

Connector colour white E-3114-51

Type 2 for fixed installation, 3-phase, 32A

Order number:



Cable type: flat

- EV side: 32A 3-phase type 2 charging connector
- EVCS side: cut off clean
- Resistor: 220 Ω in charging connector
- Cable variant: 5x6+1x0.5 mm²
- Cable length: 5.0 m
- Cable colour: black
- Cable \varnothing : approx. 17 mm

Connector colour blue E-312-6

Connector colour white E-3124-6



Cable type: spiral

- EV side: 32A 3-phase type 2 charging connector
- EVCS side: cut off clean
- Resistor: 220 Ω in charging connector
- Cable variant: 5x6+1x0.5 mm²
- Cable length: 5.0 m working length
- Cable colour: black
- Cable \varnothing : approx. 17 mm

Connector colour blue E-312-51

Connector colour white E-3124-51

Type 2 for fixed installation, 3-phase, 63A

Order number:



Cable type: flat

- EV side: 63A 3-phase type 2 charging connector
- EVCS side: cut off clean
- Resistor: 100 Ω in charging connector
- Cable variant: 5x16+1x0.5 mm²
- Cable length: 5.0 m
- Cable colour: black or orange
- Cable \varnothing : approx. 26 mm

Connector colour blue E-313-6

Connector colour white E-3134-6

Type 2, 1-phase, 20A

Order number:



Cable type: flat

- EV side: 20A 1-phase type 2 charging connector
- EVCS side: 20A 1-phase type 2 charging plug
- Resistor: 680 Ω in charging plug and connector
- Cable variant: 3x2.5+1x0.5 mm²
- Cable length: 5.0 m
- Cable colour: black
- Cable \varnothing : approx. 11 mm

Connector colour blue **E-309-16**

Connector colour white **E-3094-16**



Cable type: spiral

- EV side: 20A 1-phase type 2 charging connector
- EVCS side: 20A 1-phase type 2 charging plug
- Resistor: 680 Ω in charging plug and connector
- Cable variant: 3x2.5+1x0.5 mm²
- Cable length: 5.0 m working length
- Cable colour: black
- Cable \varnothing : approx. 11 mm

Connector colour blue **E-309-52**

Connector colour white **E-3094-52**

Type 2, 1-phase, 32A

Order number:



Cable type: flat

- EV side: 32A 1-phase type 2 charging connector
- EVCS side: 32A 1-phase type 2 charging plug
- Resistor: 220 Ω in charging plug and connector
- Cable variant: 3x6+1x0.5 mm²
- Cable length: 5.0 m
- Cable colour: black
- Cable \varnothing : approx. 14 mm

Connector colour blue **E-310-16**

Connector colour white **E-3104-16**



Cable type: spiral

- EV side: 32A 1-phase type 2 charging connector
- EVCS side: 32A 1-phase type 2 charging plug
- Resistor: 220 Ω in charging plug and connector
- Cable variant: 3x6+1x0.5 mm²
- Cable length: 5.0 m working length
- Cable colour: black
- Cable \varnothing : approx. 14 mm

Connector colour blue **E-310-52**

Connector colour white **E-3104-52**

Type 2, 3-phase, 20A

Order number:



Cable type: flat

- EV side: 20A 3-phase type 2 charging connector
- EVCS side: 20A 3-phase type 2 charging plug
- Resistor: 680 Ω in charging plug and connector
- Cable variant: 5x2.5+1x0.5 mm²
- Cable length: 5.0 m
- Cable colour: black
- Cable \varnothing : approx. 14 mm

Connector colour blue E-311-16

Connector colour white E-3114-16



Cable type: spiral

- EV side: 20A 3-phase type 2 charging connector
- EVCS side: 20A 3-phase type 2 charging plug
- Resistor: 680 Ω in charging plug and connector
- Cable variant: 5x2.5+1x0.5 mm²
- Cable length: 5.0 m working length
- Cable colour: black
- Cable \varnothing : approx. 14 mm

Connector colour blue E-311-52

Connector colour white E-3114-52

Type 2, 3 phase, 32A

Order number:



Cable type: flat

- EV side: 32A 3-phase type 2 charging connector
- EVCS side: 32A 3-phase type 2 charging plug
- Resistor: 220 Ω in charging plug and connector
- Cable variant: 5x6+1x0.5 mm²
- Cable length: 5.0 m
- Cable colour: black
- Cable \varnothing : approx. 17 mm

Connector colour blue E-312-16

Connector colour white E-3124-16



Cable type: spiral

- EV side: 32A 3-phase type 2 charging connector
- EVCS side: 32A 3-phase type 2 charging plug
- Resistor: 220 Ω in charging plug and connector
- Cable variant: 5x6+1x0.5 mm²
- Cable length: 5.0 m working length
- Cable colour: black
- Cable \varnothing : approx. 17 mm

Connector colour blue E-312-52

Connector colour white E-3124-52

Type 2, 3 phase, 63A

Order number:



Cable type: flat

- EV side: 63A 3-phase type 2 charging connector
- EVCS side: 63A 3-phase type 2 charging plug
- Resistor: 100 Ω in charging plug and connector
- Cable variant: 5x16+1x0.5 mm²
- Cable length: 5.0 m
- Cable colour: black or orange
- Cable \varnothing : approx. 26 mm

Connector colour blue E-313-16

Connector colour white E-3134-16

Type 1 for fixed installation, 1-phase, 16A

Order number:



Cable type: flat

- EV side: 16A 1-phase type 1 charging connector
- EVCS side: cut off clean
- Resistor: integrated circuit of the switched equivalent resistance between CS and PE
- Cable variant: 3x2.5+1x0.5 mm²
- Cable length: 5.0 m
- Cable colour: black
- Cable ø: approx. 11 mm

Connector colour blue **E-318010-6**

Connector colour white **E-318414-6**



Cable type: spiral

- EV side: 16A 1-phase type 1 vehicle connector
- EVCS side: cut off clean
- Resistor: integrated circuit of the switched equivalent resistance between CS and PE
- Cable variant: 3x2.5+1x0.5 mm²
- Cable length: 5.0 m working length
- Cable colour: black
- Cable ø: approx. 11 mm

Connector colour blue **E-318010-51**

Connector colour white **E-318414-51**

Type 1 for fixed installation, 1-phase, 32A

Order number:



Cable type: flat

- EV side: 32A 1-phase type 1 charging connector
- EVCS side: cut off clean
- Resistor: integrated circuit of the switched equivalent resistance between CS and PE
- Cable variant: 3x6+1x0.5 mm²
- Cable length: 5.0 m
- Cable colour: black
- Cable ø: approx. 14 mm

Connector colour blue **E-319010-6**

Connector colour white **E-319414-6**



Cable type: spiral

- EV side: 32A 1-phase type 1 charging connector
- EVCS side: cut off clean
- Resistor: integrated circuit of the switched equivalent resistance between CS and PE
- Cable variant: 3x6+1x0.5 mm²
- Cable length: 5.0 m working length
- Cable colour: black
- Cable ø: approx. 14 mm

Connector colour blue **E-319010-51**

Connector colour white **E-319414-51**

Type 2 to type 1, 1-phase, 16A

Order number:



Cable type: flat

- EV side: 16A 1-phase type 1 charging connector
- EVCS side: 16A 1-phase type 2 charging plug
- Resistor: 680 Ω in type 2 charging plug, integrated circuit of the switched equivalent resistance between CS and PE in type 1 charging connector
- Cable variant: 3x2.5+1x0.5 mm²
- Cable length: 5.0 m
- Cable colour: black
- Cable \varnothing : approx. 11 mm

Connector colour blue E-318010-16

Connector colour white E-318414-16



Cable type: spiral

- EV side: 16A 1-phase type 1 charging connector
- EVCS side: 16A 1-phase type 2 charging plug
- Resistor: 680 Ω in type 2 charging plug, integrated circuit of the switched equivalent resistance between CS and PE in type 1 charging connector
- Cable variant: 3x2.5+1x0.5 mm²
- Cable length: 5.0 m working length
- Cable colour: black
- Cable \varnothing : approx. 11 mm

Connector colour blue E-318010-52

Connector colour white E-318414-52

Type 2 to type 1, 1-phase, 32A

Order number:



Cable type: flat

- EV side: 32A 1-phase type 1 charging connector
- EVCS side: 32A 1-phase type 2 charging plug
- Resistor: 220 Ω in type 2 charging plug, integrated circuit of the switched equivalent resistance between CS and PE in type 1 charging connector
- Cable variant: 3x6+1x0.5 mm²
- Cable length: 5.0 m
- Cable colour: black
- Cable \varnothing : approx. 14 mm

Connector colour blue E-319010-16

Connector colour white E-319414-16



Cable type: spiral

- EV side: 32A 1-phase type 1 charging connector
- EVCS side: 32A 1-phase type 2 charging plug
- Resistor: 220 Ω in type 2 charging plug, integrated circuit of the switched equivalent resistance between CS and PE in type 1 charging connector
- Cable variant: 3x6+1x0.5 mm²
- Cable length: 5.0 m working length
- Cable colour: black
- Cable \varnothing : approx. 14 mm

Connector colour blue E-319010-52

Connector colour white E-319414-52

EVCS 2 tester type E-994

The EVCS 2 tester is an easy-to-handle device that can simulate the basic charging states at a charging station with a type 2 charging socket.

With the compact tester, you can ensure that the charging station is always functional – and continues to be so. You can easily simulate various coding resistors of the charging cable, changes in charge status or errors. The integrated BNC measuring output allows you to easily visualise the CP PWM signal, e.g., on an oscilloscope.

The EVCS 2 tester includes the following functions

- Specification of the charging cable coding for simulating the maximum charging current
- Test of the PE installation
- Simulation of an interruption of the PE protective conductor
- Simulation of the vehicle states

- Display of the PWM signal (CP measurement output)
- Phase sequence indicator L1, L2, L3
- Rotating field indicator
- Test outputs (simulation of external leakage currents)

Equipment

- Dimensions H x W x D: 205 x 105 x 40 mm
- Plastic housing with rubber-coated sides
- Plug: type 2 charging plug with 1 m installation cable
- Colour: blue black

Optional:

- with Type 3 Version Part no. E-996

Part no. E-994



EVCS 2 diagnostic device type E-995

The EVCS 2 diagnostic device offers expanded options for performing a complete check of your charging station. This compact device is equally suited for both an initial inspection as well as for inspecting charging stations that are already in operation.

- Diagnostic information:
Phases as well as rotation field direction | Charging current resulting from the PWM signal | Automatic determination of the turn-off time | Frequency, duty cycle as well as upper and lower voltage of the PWM signal
- Simulatable vehicle states (CP):
Vehicle not connected | Vehicle connected | Vehicle connected, ready to accept energy with ventilation | Vehicle connected, ready to accept energy without ventilation
- Simulatable cable states (PP):
No cable, 13A cable, 20A cable, 32A cable and 63A cable

- Simulatable errors:
Short-circuit of diode | Short circuit between CP and PE | Triggering of the RCD by a current of 30mA between L1 and PE
- Installation option for test loads via a schuko-type socket
- Lightweight and robust case design ideal for external service work
- Integrated energy-saving functions as well as indicator for battery undervoltage

Part no. E-995



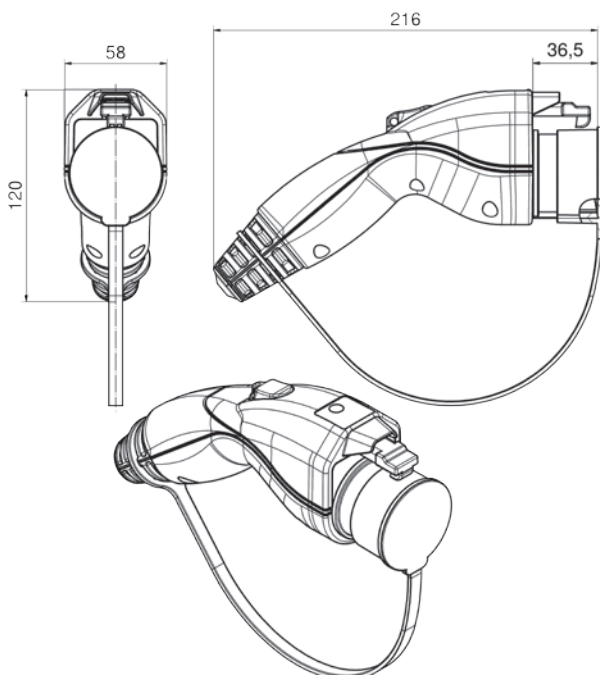
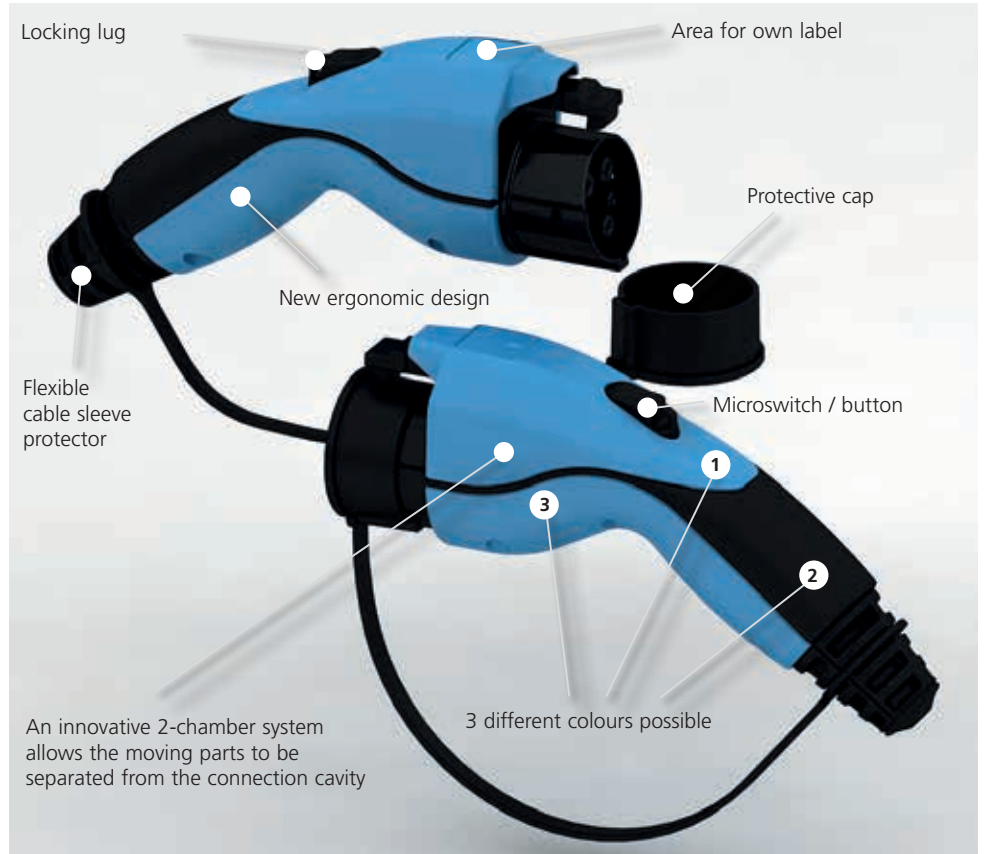
CHARGING SYSTEM COMPONENTS FOR OEM CUSTOMERS



The new Type 1 connector

Consistent further development in design and function

- The 2-chamber system allows separation of the individual areas and therefore a protection degree of min. IP44
- New ergonomic design
- Flexible cable sleeve protector
- With locking lug for padlock
- Available in various colours
- Can be freely assembled
- 16A (20A) - 32A (30A)
- VDE-tested



	Type 1 ¹ blue / ² black / ³ blue	up to 20A up to 32A	318010 319010
	Type 1 ¹ white / ² black / ³ white	up to 20A up to 32A	318414 319414
	Type 1 ¹ black / ² white / ³ black	up to 20A up to 32A	318141 319141



Type 2 charging socket, IP54, up to 63A and plug interlock

- screw terminals for 3P+N+PE and PP+CP
- easy CONTACT technology and silver plated contacts
- plug interlock with actuator
- we recommend control via EVCP2-Controller E-920000 or E-920300



up to 20A	E-80191-16
up to 32A	E-80191-32
up to 63A	E-80191-63



Type 2 charging socket, IP54, up to 63A with lid interlock and plug interlock

- screw terminals for 3P+N+PE and PP+CP
- easy CONTACT technology and silver plated contacts
- hinged lid interlock with actuator
- plug interlock with actuator
- we recommend control via EVCP2-Controller E-920200 or E-920500



up to 20A	E-80192-16
up to 32A	E-80192-32
up to 63A	E-80192-63



Type 2 charging socket, IP54, up to 63A with RGB LED as well as lid interlock and plug interlock

- screw terminals for 3P+N+PE and PP+CP
- easy CONTACT technology and silver plated contacts
- plug interlock with actuator
- hinged lid interlock with actuator
- two-side RGB LED lighting
- we recommend control via EVCP2-Controller E-920200 or E-920500



up to 20A	E-80193-16
up to 32A	E-80193-32
up to 63A	E-80193-63



Type 2 charging socket, IP54, up to 63A and plug interlock

- screw terminals for 3P+N+PE and PP+CP
- easy CONTACT technology and silver plated contacts
- plug interlock and suitable actuator
- we recommend control via EVCP2-Controller E-920000 or E-920300



up to 20A	E-80194-16
up to 32A	E-80194-32
up to 63A	E-80194-63



Type 2 charging socket, IP54, up to 63A with RGB LED and plug interlock

- screw terminals for 3P+N+PE and PP+CP
- easy CONTACT technology and silver plated contacts
- plug interlock and suitable actuator
- two-side RGB LED lighting
- we recommend control via EVCP2-Controller E-920000 or E-920300



up to 20A	E-80195-16
up to 32A	E-80195-32
up to 63A	E-80195-63



EVCP2 Controller - mode 3/ type 2

Standard functions:

Basic function:

- electric power supply storage in case of a power failure
- integrated current converter from 230V a.c. to 12V d.c.
- additional 12V output for peripheral devices
- charging current selection switch 6A - 80A
- LED RGB control
- control option for contactor and plug interlock
- charge control according to IEC 61851-1

Standard, feedback signals via RS485	E-920000
Vehicle connector permanently connected to EVSE type 1 and type 2, and feedback signals via RS485	E-920100
Standard, plus hinged lid interlock and limit switch, and feedback signals via RS485	E-920200
Standard plus analogue input and feedback signals via RS485	E-920300
Vehicle connector permanently connected to EVSE type 1 and type 2 plus analogue input, and feedback signals via RS485	E-920400
Standard, plus hinged lid interlock and limit switch and analogue input and feedback signals via RS485	E-920500
Software and extended manual for setting and feedback signals via RS232/RS485	E-921000



Actuator connecting cable

- actuator junction with 3 x 1000 mm single 0,5 mm² conductors
- connection cable for interlocking systems
- for plug and hinged lid interlocking systems

E-314-1000



Type 1 charging connector up to 32A, blue

- screw terminals - ready for wiring
- integrated circuit of the switched equivalent resistance between CS and PE
- configuration L1+L2/N+PE and CP+CS
- protection degree IP44

up to 20A	E-318010
up to 32A	E-319010



Type 1 charging connector up to 32A, white

- screw terminals - ready for wiring
- integrated circuit of the switched equivalent resistance between CS and PE
- configuration L1+L2/N+PE and CP+CS
- protection degree IP44

up to 20A	E-318414
up to 32A	E-319414



Type 2 charging plug up to 63A, blue

- screw terminals - ready for wiring
- with integrated resistor coding
- configuration 3(1)P+N+PE and CP+PP
- protection degree IP44

up to 20A, 1-phase	E-209
up to 32A, 1-phase	E-210
up to 20A, 3-phase	E-211
up to 32A, 3-phase	E-212
up to 63A, 3-phase	E-213



Type 2 charging plug up to 63A, white

- screw terminals - ready for wiring
- with integrated resistor coding
- configuration 3(1)P+N+PE and CP+PP
- protection degree IP44

up to 20A, 1-phase	E-2094
up to 32A, 1-phase	E-2104
up to 20A, 3-phase	E-2114
up to 32A, 3-phase	E-2124
up to 63A, 3-phase	E-2134



Type 2 charging connector up to 63A, blue

- screw terminals - ready for wiring
- with integrated resistor coding
- configuration 3(1)P+N+PE and CP+PP
- protection degree IP44

up to 20A, 1-phase	E-309
up to 32A, 1-phase	E-310
up to 20A, 3-phase	E-311
up to 32A, 3-phase	E-312
up to 63A, 3-phase	E-313



Type 2 charging connector up to 63A, white

- screw terminals - ready for wiring
- with integrated resistor coding
- configuration 3(1)P+N+PE and CP+PP
- protection degree IP44

up to 20A, 1-phase	E-3094
up to 32A, 1-phase	E-3104
up to 20A, 3-phase	E-3114
up to 32A, 3-phase	E-3124
up to 63A, 3-phase	E-3134



Plug holder for charging connector

for type 2 charging connector	E-992
for type 1 charging connector	E-991



Domestic-type charging socket with flat stand out

- nickel plated contacts
- for continuous current up to 16A
- with „normally open“ NO auxiliary contact



German system

E-801911



Belgian/French system

E-801912



Swiss system

E-801913



Domestic-type charging socket with hinged lid interlock

- nickel plated contacts
- for continuous current up to 16A
- „normally open“ NO auxiliary contact
- hinged lid interlock with actuator



German system

E-801921



Belgian/French system

E-801922



Swiss system

E-801923



Domestic-type charging socket with hinged lid interlock and LED RGB lighting

- nickel plated contacts
- for continuous current up to 16A
- „normally open“ NO auxiliary contact
- hinged lid interlock with actuator
- two-side LED RGB lighting



German system

E-801931



Belgian/French system

E-801932



Swiss system

E-801933



Domestic-type charging socket

- nickel plated contacts
- for continuous current up to 16A
- „normally open“ NO auxiliary contact



German system

E-801941



Belgian/French system

E-801942



Swiss system

E-801943



Domestic-type charging socket with LED RGB lighting

- nickel plated contacts
- for continuous current up to 16A
- „normally open“ NO auxiliary contact
- two-side LED RGB lighting



German system

E-801951



Belgian/French system

E-801952



Swiss system

E-801953



16A 230V domestic-type charging socket, German schuko system



- protection degree IP54
- flange 50 x 50 mm
- nickel plated contacts
- „normally open“ NO auxiliary contact
- for continuous current up to 16A

Colour: blue **E-7184**

Colour: black **E-71073**



16A 230V domestic-type charging socket

- protection degree IP20
- without hinged lid
- flange 50 x 50 mm
- nickel plated contacts
- „normally open“ NO auxiliary contact
- for continuous current up to 16A



German system

Colour: blue **E-71070**

Colour: black **E-71075**



Belg./French system

Colour: blue **E-71117**

Colour: black **E-71089**



16A 230V domestic-type charging socket, Belgian/French system



- protection degree IP54
- flange 50 x 50 mm
- nickel plated contacts
- „normally open“ NO auxiliary contact
- for continuous current up to 16A

Colour: blue **E-71067**

Colour: black **E-71074**



Type 23 domestic-type charging socket, Swiss system



- protection degree IP54
- flange 50 x 50 mm
- nickel plated contacts
- „normally open“ NO auxiliary contact
- for continuous current up to 16A

Colour: blue **E-7707**

Colour: black **E-7708**

CHARGING SYSTEM COMPONENTS IN ACCORDANCE WITH IEC 60309-1,2
AND IEC 61851-1



CEE-standard charging socket 1P+N+PE 230V 6h IP 44

- angled 20°
- flange 85 x 85 mm
- 70 x 70 mm mounting holes
- nickel plated contacts
- double auxiliary contact „normally open“ NO ^ and „normally closed“ NC

up to 16A **E-120412**

up to 32A **E-120416**



CEE-standard charging socket 3P+N+PE 400V 6h IP 44

- angled 20°
- flange 85 x 85 mm
- 70 x 70 mm mounting holes
- nickel plated contacts
- double auxiliary contact „normally open“ NO and „normally closed“ NC

up to 16A **E-120414**

up to 32A **E-120413**





Bals Elektrotechnik GmbH & Co. KG

D-57399 Kirchhundem-Albaum

Phone: +49 27 23/771-0

E-mail: emobile@bals.com · Internet: www.bals.com